

KIP640/642/643/646/  
647/648/649/655(-S)



**Mounting Pattern**  
200 x 200 up to  
400 x 600mm



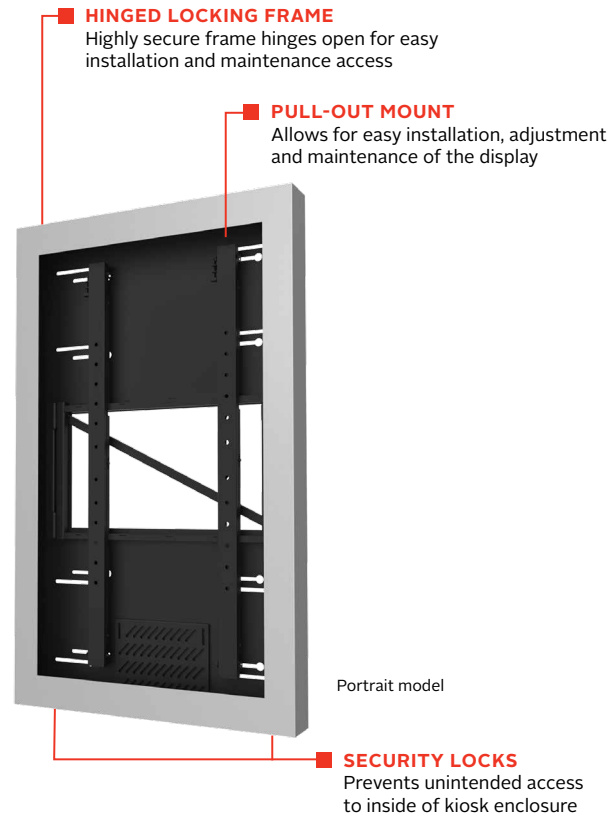
**Max Load**  
75lb  
(34kg)

# Wall Kiosk Enclosure

Fits 40", 42", 43", 46", 47", 48", 49" and 55" Displays up to 2" (50mm) Thick

Peerless-AV's Wall Kiosk Enclosure provides a sleek digital showcase for advertising, entertaining, interactive wayfinding, and much more. These innovative kiosk enclosures accommodate a wide variety of ultra-thin displays in either landscape (KIL models) or portrait (KIP models) orientation. Despite the slim, ADA-compliant 3.97" profile, the kiosk enclosure can easily house media players, fans and other electrical equipment needed to create an impressive digital solution. From hotels to casinos to movie theaters, Peerless-AV's Wall Kiosk Enclosures are ideal for applications that want to take the guest experience up a notch and differentiate their brand.

- Eight way tool-less adjustment to quickly position display in kiosk window for flush alignment
- VESA® 200 x 200 up to 400 x 600mm compatible
- Thermostat controlled circulation fans ensure proper airflow within the kiosk
- Low profile design extends 3.97" (101mm) away from the wall, which meets the Americans with Disabilities Act (ADA) certification requirements
- Hinged top frame offers easy access to the display and other internal components for easy maintenance and enhanced security
- Supports wide range of aesthetic options including glass/acrylic, multiple colors, vinyl wraps, etc. to best match environment or promote brand strategy
- Pre-assembled to simplify installation of the entire solution



Landscape models available



Pull-out mount for easy installation of display



**RoHS**  
COMPLIANT



**TAA**  
COMPLIANT

Please visit [peerless-av.com/en-us/patents](http://peerless-av.com/en-us/patents) for patent information.

✉ [info@peerless-av.com](mailto:info@peerless-av.com)

🌐 [peerless-av.com](http://peerless-av.com)

**peerless-AV**<sup>®</sup>  
Driving Technology Through Innovation

## Model Numbers

**WARRANTY: 5 years on metal components, 1 year on electronic components**

### Portrait Models:

**KIP640(-S)** Wall Kiosk Enclosure fits 40" Displays up to 2" (50mm) Thick  
**KIP642(-S)** Wall Kiosk Enclosure fits 42" Displays up to 2" (50mm) Thick  
**KIP643(-S)** Wall Kiosk Enclosure fits 43" Displays up to 2" (50mm) Thick  
**KIP646(-S)** Wall Kiosk Enclosure fits 46" Displays up to 2" (50mm) Thick

**KIP647(-S)** Wall Kiosk Enclosure fits 47" Displays up to 2" (50mm) Thick  
**KIP648(-S)** Wall Kiosk Enclosure fits 48" Displays up to 2" (50mm) Thick  
**KIP649(-S)** Wall Kiosk Enclosure fits 49" Displays up to 2" (50mm) Thick  
**KIP655(-S)** Wall Kiosk Enclosure fits 55" Displays up to 2" (50mm) Thick

## Product Specifications

	DIMENSIONS (W x H x D)	PRODUCT WEIGHT	LOAD CAPACITY	FINISH	AVAILABLE COLORS
<b>KIP640/642/643(-S)</b>	27.10" x 44.24" x 3.94" (688 x 1124 x 100mm)	62.6lb (28kg)	75lb (34kg)	Powder Coat	KIP640/642/643/646/647/648/649/655: Gloss black  KIP640-S/642-S/643-S/646-S/647-S/648-S/649-S/655-S: Silver
<b>KIP646/647/648(-S)</b>	29.10" x 48.16" x 3.94" (739 x 1223 x 100mm)	67.8lb (30kg)			
<b>KIP649/655(-S)</b>	33.50" x 55.07" x 3.94" (861 x 1399 x 100mm)	79.5lb (36kg)			

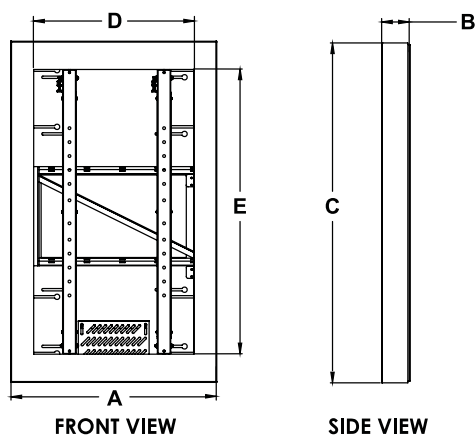
## Package Specifications

	PACKAGE SIZE (W x H x D)	PACKAGE SHIP WEIGHT	PACKAGE UPC CODE		PACKAGE CONTENTS	UNITS IN PACKAGE
<b>KIP640/642/643(-S)</b>	50.00" x 36.00" x 8.00" (1270 x 914 x 203mm)	85lb (39kg)	KIP640: 735029296874	KIP640-S: 735029296935	Kiosk with display mounting hardware	1
<b>KIP646/647/648(-S)</b>	54.00" x 39.00" x 8.00" (1371 x 990 x 203mm)	95lb (43kg)	KIP642: 735029297451	KIP642-S: 735029297468		
			KIP643: 735029315735	KIP643-S: 735029315766		
<b>KIP649/655(-S)</b>	62.00" x 43.00" x 8.00" (1574 x 1092 x 203mm)	105lb (48kg)	KIP646: 735029296881	KIP646-S: 735029296942		
			KIP647: 735029296898	KIP647-S: 735029296966		
			KIP648: 735029307990	KIP648-S: 735029308003		
			KIP649: 735029318712	KIP649-S: 735029318798		
			KIP655: 735029308102	KIP655-S: 735029309199		

## Accessories

**ACC415:** 4-pack Metal Stud Fastener Kit  
**DEB-HD10:** 32' (10m) High Speed HDMI® Cables with Ethernet  
**PVP1000-PL6:** Surge Protector with Six Outlets

All dimensions = inch (mm)



MODEL NO.	DIMENSION "A"	DIMENSION "B"	DIMENSION "C"	DIMENSION "D"	DIMENSION "E"
<b>KIP640</b>	27.10" (688mm)	3.94" (100mm)	44.24" (1124mm)	19.67" (500mm)	34.97" (888mm)
<b>KIP642</b>	27.10" (688mm)	3.94" (100mm)	44.24" (1124mm)	20.65" (525mm)	36.72" (933mm)
<b>KIP643</b>	27.10" (688mm)	3.94" (100mm)	44.24" (1124mm)	21.13" (537mm)	37.59" (955mm)
<b>KIP646</b>	29.10" (739mm)	3.94" (100mm)	48.16" (1223mm)	22.61" (574mm)	40.20" (1021mm)
<b>KIP647</b>	29.10" (739mm)	3.94" (100mm)	48.16" (1223mm)	23.10" (587mm)	41.07" (1043mm)
<b>KIP648</b>	29.10" (739mm)	3.94" (100mm)	48.16" (1223mm)	23.59" (599mm)	41.94" (1065mm)
<b>KIP649</b>	33.50" (851mm)	3.94" (100mm)	55.07" (1399mm)	24.08" (611mm)	42.82" (1087mm)
<b>KIP655</b>	33.50" (851mm)	3.94" (100mm)	55.07" (1399mm)	27.03" (686mm)	48.05" (1220mm)

## Architect Specifications

The Wall Kiosk Enclosure shall be a Peerless-AV model KIP640(-S), 642(-S), 643(-S), 646(-S), 647(-S), 648(-S), 649(S) or 655(-S) and shall be located where indicated on the plans. Assembly and installation shall be done according to instructions provided by the manufacturer.

Visit [peerless-av.com](http://peerless-av.com) to see the complete line of AV solutions from Peerless-AV, including outdoor displays, kiosks, display mounts, projector mounts, carts/stands, and a full assortment of accessories.

**Peerless-AV**  
 2300 White Oak Circle  
 Aurora, IL 60502 USA  
**(800) 865-2112**  
**(630) 375-5100**  
**Fax: (800) 359-6500**

**Peerless-AV Europe**  
 Unit 3 Watford Interchange  
 Colonial Way, Watford  
 Herts, WD24 4WP  
 United Kingdom  
**+44 (0) 1923 200100**  
**Fax: +44 (0) 1923 200101**

**Peerless-AV Latin America**  
 Av. de las Industrias 413  
 Parque Industrial Escobedo  
 General Escobedo, N.L.,  
 México, 66062  
**+52 (81) 8384-8300**  
**Fax: +52 (81) 8384-8360**

**peerless-AV®**  
 Driving Technology Through Innovation

LIT-1630 rev.2